

Mixing units, wash down and hoses station

16350 blv. Gouin Ouest, Ste-Geneviève, Québec H9H 1E1

Toll free : 1-800-624-4709 (514)624-4772 Fax : 624-4776

Email : [info@charlandthermojet.com](mailto:info@charlandthermojet.com) Web: [www.charlandthermojet.com](http://www.charlandthermojet.com)



# 8

## INDUSTRIAL SPRAY NOZZLE GUN FOR GENERAL APPLICATIONS LIQUIDS

## T-70 SERIES

### INDUSTRIAL AUTOMATIC SPRAY NOZZLE GUN

Ideal for many cleaning tasks in every kind of industrial plants. Easy to use.

**NOZZLE GUN : For use with hot and cold water only.  
Do not use with steam**



#### FEATURES

- Body made from brass casting. (Also available in stainless steel in option.)
- Maximum operating pressure : 150 PSI (1034 kPa).
- Maximum operating temperature : 200 °F (93 °C).
- Flow rates : 5-7 GPM (18.9 – 26.5 l/min) under normal operating conditions 50-80 PSI (345 – 552 kPa), 10 GPM (37.9 l/min) @ 150 psi (1034 kPa).
- This gun works better with less water flow. The precision of the construction of this gun allows the operator to have several types of water jets simply by pressing the handle. This model stops automatically when the handle is released, which eliminates any water wasting.

## T-70 SERIES

### Automatic industrial spray nozzle

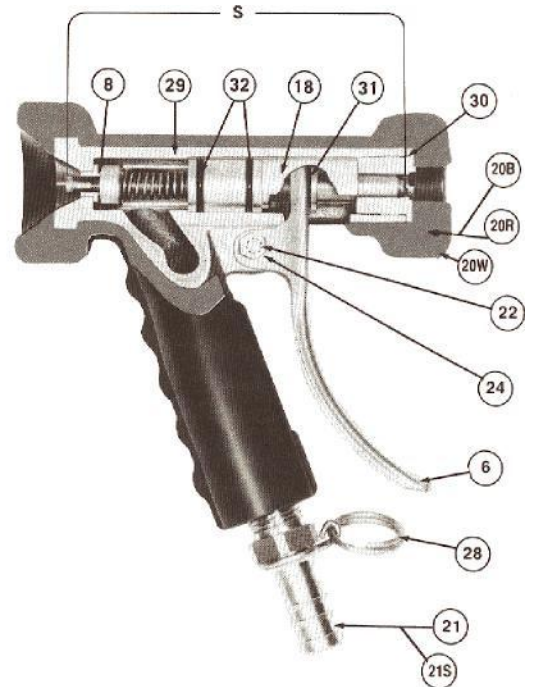
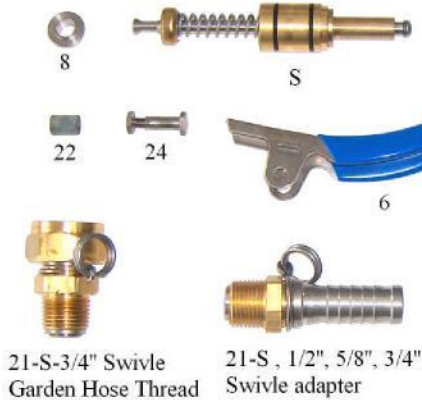
### Replacement parts for the spray nozzle : T-70, T-75, T-77

**NOZZLE GUN : For use with hot and cold water only.  
Do not use with steam**

T-70 MODEL

T-75 MODEL

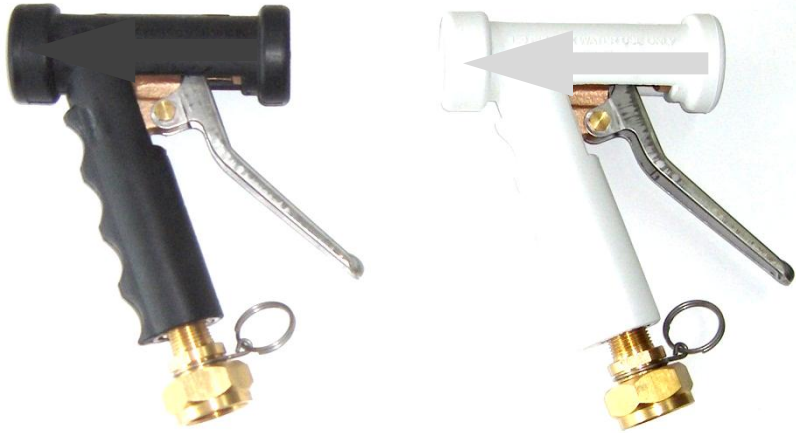
T-77 MODEL



S	Cartridge	21S	Swivel hose adapter (1/2", 5/8", 3/4")
		21SGT	(3/4" swivel garden hose thread)
6	Lever arm	22	Lever arm bushing
8	Stainless steel seat	24	Lever arm screw
18	Cage	28	Lock ring assembly
20B	Rubber cover (Black)	29	Body
20R	Rubber cover (Red)	30	Lock screw
20W	Rubber cover (White)	31	Stem guide
		32	Body sealing o-ring

## MINI M-70

## INDUSTRIAL SPAY NOZZLE GUN



**If weight is an issue try the mini M-70, only 1.8 lbs (0.8 kg) !**

### FEATURES

- Adjustable water jet.
- Replaceable heavy-duty rubber cover available in black, red or white.
- Bronze and stainless steel construction NSF FDA approved.
- Rev-o-cap renewable cartridge unit design for greater longevity.
- Instant water shut-off when trigger is released.
- Rated at 150 PSI (1034 kPa), 200 °F (93 °C), flow rate : 7 GPM (26.5 l/min).
- Includes ½", 5/8", ¾" I.D. or ¾" GHT (garden hose thread) swivel adapter with locking ring.
- Not recommended for steam service.

**For more information or any questions please contact us.**

## T-70-LF SERIES

### INDUSTRIAL AUTOMATIC LOW FLOW SPRAY NOZZLE GUN

This low flow spray nozzle gun is ideal for many cleaning tasks in every kind of industrial plants. Easy to use.

**NOZZLE GUN : For use with hot and cold water only.  
Do not use with steam**

T-70-LF MODEL



T-75-LF MODEL



T-77-LF MODEL



#### FEATURES

- Body made from brass casting. (Also available in stainless steel in option.)
- Maximum operating pressure : 150 PSI (1034 kPa).
- Maximum operating temperature : 200 °F (93 °C).
- This gun works better with less water flow. The precision of the construction of this gun allows the operator to have several types of water jets simply by pressing the handle. This model stops automatically when the handle is released, which eliminates any water wasting.

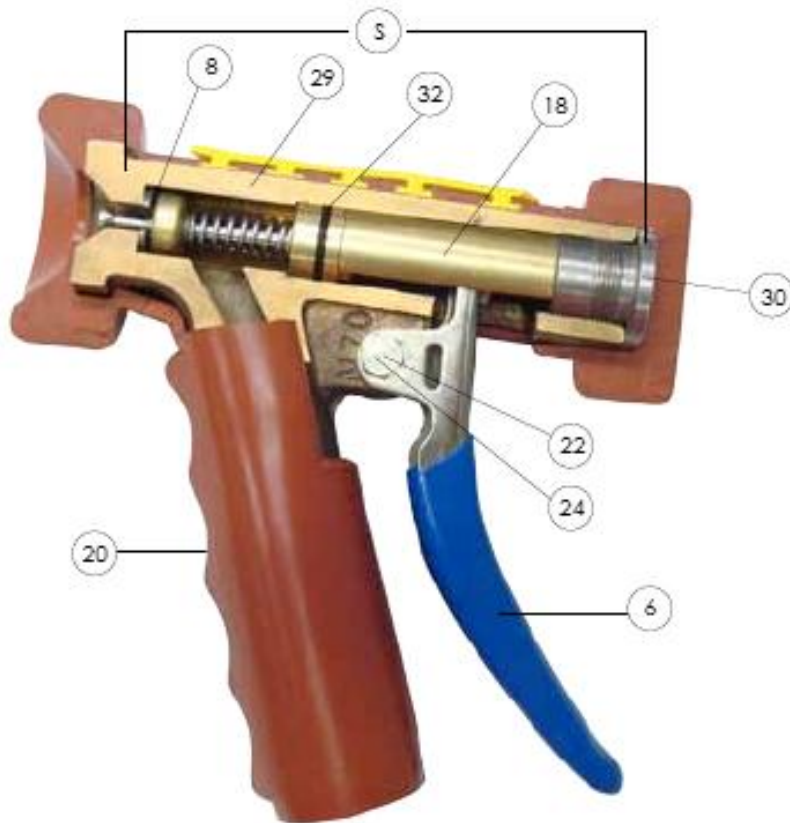
T-70 FLOW TEST		
	STANDARD (T-70)	LOW FLOW (T-70-LF)
PSI (at gun entry)	FLOW (gpm)	
20	3.250	2.250
30	4.250	2.750
40	5.125	3.250
50	5.875	3.750
60	6.750	4.125
70	7.500	4.500
80	7.750	4.875
90	8.250	5.000
100	9.000	5.125

**Mixing units, wash down and hoses station**  
 16350 blv. Gouin Ouest, Ste-Geneviève, Québec H9H 1E1  
 Toll free : 1-800-624-4709 (514)624-4772 Fax : 624-4776  
 Email : [info@charlandthermojet.com](mailto:info@charlandthermojet.com) Web: [www.charlandthermojet.com](http://www.charlandthermojet.com)

## T-70-LF SERIES

### INDUSTRIAL AUTOMATIC LOW FLOW SPRAY NOZZLE GUN

Low Flow parts details:



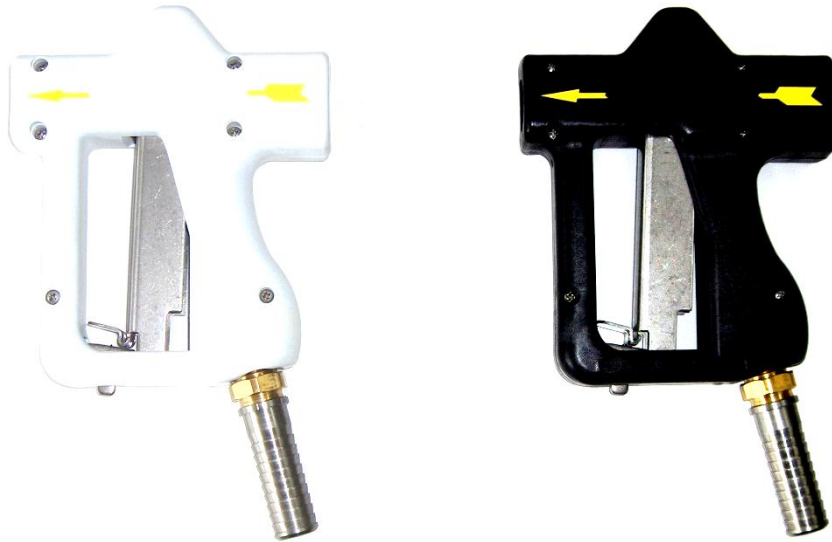
PARTS	
PART NO.	DESCRIPTION
6	Lever arm
8	Seat
18	Cage
20	Renewable rubber cover (black, white or red)
22	Lever arm brushing
24	Lever arm screw
28	Lock rings
29	Body
30	Lock screw
32	Body sealing O-ring
S	S cartridge

Flow comparison chart for standard and low flow nozzle gun models:

T-70 FLOW TEST		
	STANDARD (T-70)	LOW FLOW (T-70-LF)
PSI (at gun entry)	FLOW (gpm)	
20	3.250	2.250
30	4.250	2.750
40	5.125	3.250
50	5.875	3.750
60	6.750	4.125
70	7.500	4.500
80	7.750	4.875
90	8.250	5.000
100	9.000	5.125

## AUTOMATIC HYDRO-PRO 150

### ALL STAINLESS STEEL INDUSTRIAL AUTOMATIC SPRAY NOZZLE GUN



MAXIMUM OPERATING TEMPERATURE :

**200 °F (93 °C)**

MAXIMUM OPERATING TEMPERATURE :

**150 PSI (1034 kPa)**

FLOW RATE :

**5-7 GPM (18.9 – 26.5 l/min) for normal operating conditions 50-70 PSI (345 – 483 kPa)**

**For more information or any questions please contact us.**

## NCT60-21580

### NOZZLE GUN WITH VARIABLE WATER JET

WATER FLOW RATE						
Pressure (PSI)	20	40	60	100	150	250
Flow rate (GPM)	4-1/2	6-1/2	8	10	12-1/2	16

3/8 " NPT (F)  
conn.  
(standard)

No .13212-3/8  
3/4" Garden hose  
thread (F) Conn.  
(optional)



Overall length – 9"  
Overall width – 1 7/16"  
Overall height – 6 1/2"  
Overall weight – 1.2 lbs.

### FEATURES

- Designed for hot liquids spraying at a temperature up to 300 °F (149 °C).
- Spray pattern can be adjusted from a fine mist spray to a full cone and solid stream.
- For pressure up to 250 PSI (1724 kPa)
- Outer housing and trigger guard molded of tough nylon material designed to withstand high impact and rough usage.
- Trigger lock holds trigger in « off » position.
- Buna-N lip seal requires no adjustment.
- Rubber bumper protects spray tip from damage.



## INDUSTRIAL NOZZLE



Part number	Size	Thread	Flow at 100 PSI
DXBFN150NST	1-1/2" (38 mm)	NH(NST)	85 GPM (322 l/min)
DXBFN150	1-1/2" (38 mm)	NPSH	85 GPM (322 l/min)
DXBFN100NST	1" (25 mm)	NH(NST)	36 GPM (136 l/min)
DXBFN100	1" (25 mm)	NPSH	36 GPM (136 l/min)
DXBFN250NST	2-1/2" (64 mm)	NH(NST)	205 GPM (776 l/min)
DXBFN200	2" (51 mm)	NPSH	108 GPM (409 l/min)
DXBFN75GHT	3/4" (19 mm)	GHT	-
DXBFN75	3/4" (19 mm)	NPSH	-

\* Recommended working water pressure : 100 PSI.

\* Many other models available depending on your needs, please contact us for more details.

Mixing units, wash down and hoses station  
 16350 blv. Gouin Ouest, Ste-Genève, Québec H9H 1E1  
 Toll free : 1-800-624-4709 (514)624-4772 Fax : 624-4776  
 Email : [info@charlandthermojet.com](mailto:info@charlandthermojet.com) Web: [www.charlandthermojet.com](http://www.charlandthermojet.com)

## INDUSTRIAL TURBO-JET NOZZLE



1763 model

### Model

- 1762 : wide range industrial nozzle.
- 1763 : wide range industrial nozzle with pistol grip handle.

Model	Swivel entry	length	Wt.	Flow	
				GPM	L/min
1762	1-1/2" (38 mm)	11" (279 mm)	5 3/8 lb (2.4 kg)	30-95-125-150-200	115-360-475-550-750
1763	1-1/2" (38 mm)	11" (279 mm)	5 3/4 lb (2.6 kg)	30-95-125-150-200	115-360-475-550-750



\* Many other models available depending on your needs, please contact us for more details.